

# Assembly Instructions

## Villa table

- Before you begin to assemble your new piece of furniture, please check to ensure that all parts have been supplied.
- Follow instructions closely as deviation from them may void your warranty and present a possible safety risk.
- It is recommended that assembly is done on a soft surface like carpet to avoid any damage.
- If you experience any problems with your new purchase please phone our Customer Service Hotline 1800 807 416 (Customers outside Australia should contact their closest Freedom store.)

---

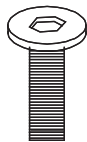
### Care Information

**GENERAL:** Periodically re-tighten all fasteners. Wipe down all surfaces with a clean cloth.

**TIMBER:** Apply Freedom Outdoor Timber Oil after purchase and at least twice a year, following the directions on the can.

---

### Hardware



16xPart A



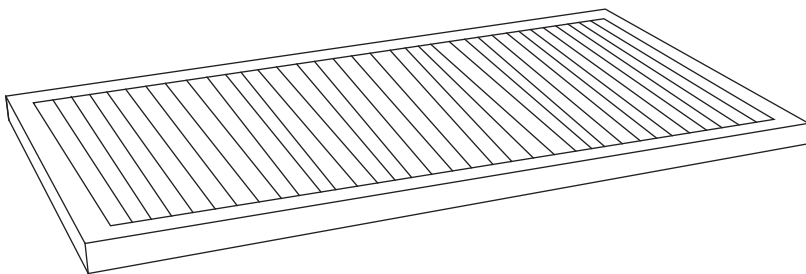
16xPart B



1xParC

---

### Parts



1xParD

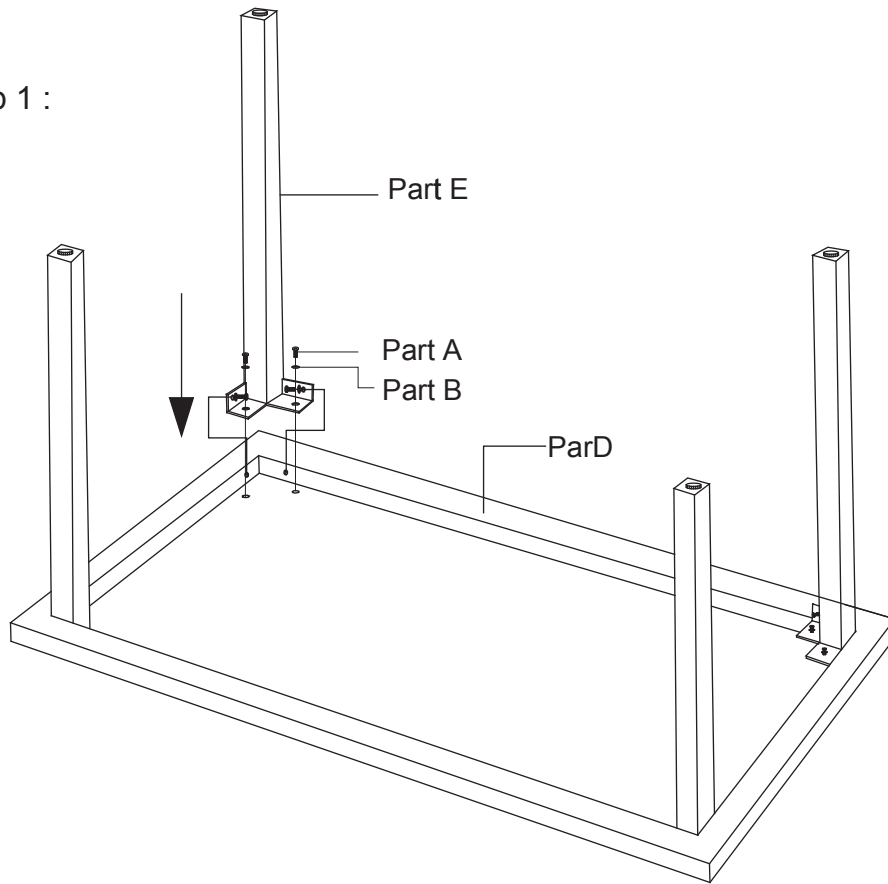


4xParE

# Assembly Instructions

Villa table

Step 1 :



Finished :

