

# Assembly Instructions

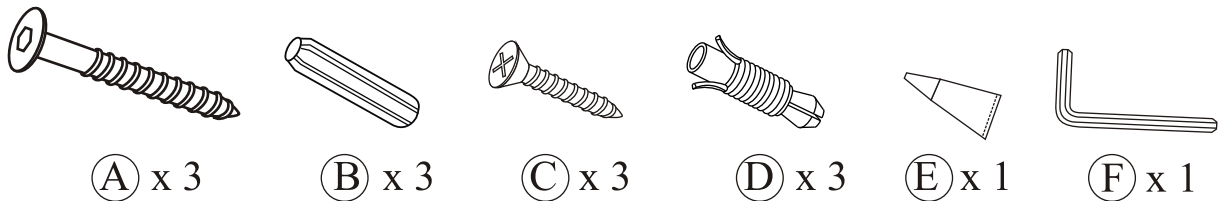
## Absolute Shelf A/ 600

- Before you begin to assemble your new piece of furniture, please check to ensure that all parts have been supplied.
- Follow instructions closely as deviation from them may void your warranty and present a possible safety risk.
- It is recommended that assembly is done on a soft surface like carpet to avoid any damage.
- If you experience any problems with your new purchase please phone our Customer service Hotline 1800 807 416 (Customers outside Australia should contact their closest Freedom store.)

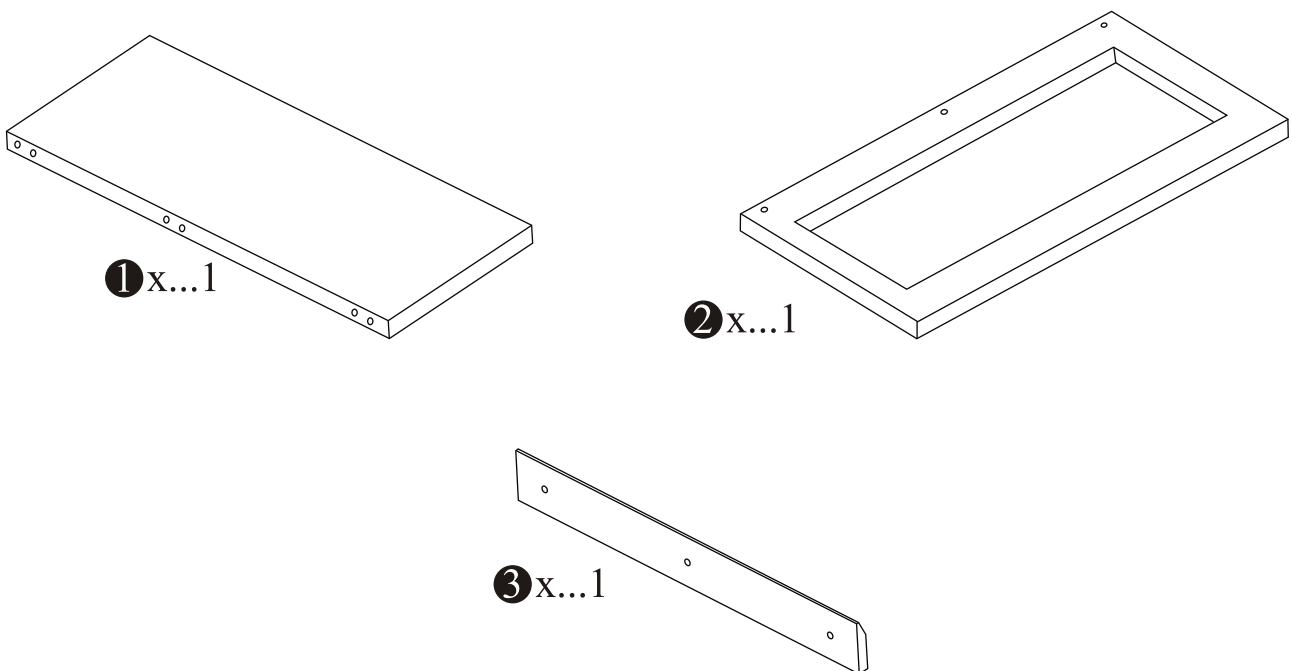
### Care Information

Periodically check and re-tighten fasteners. Wipe down all surfaces using a clean cloth weekly.

### Hardware



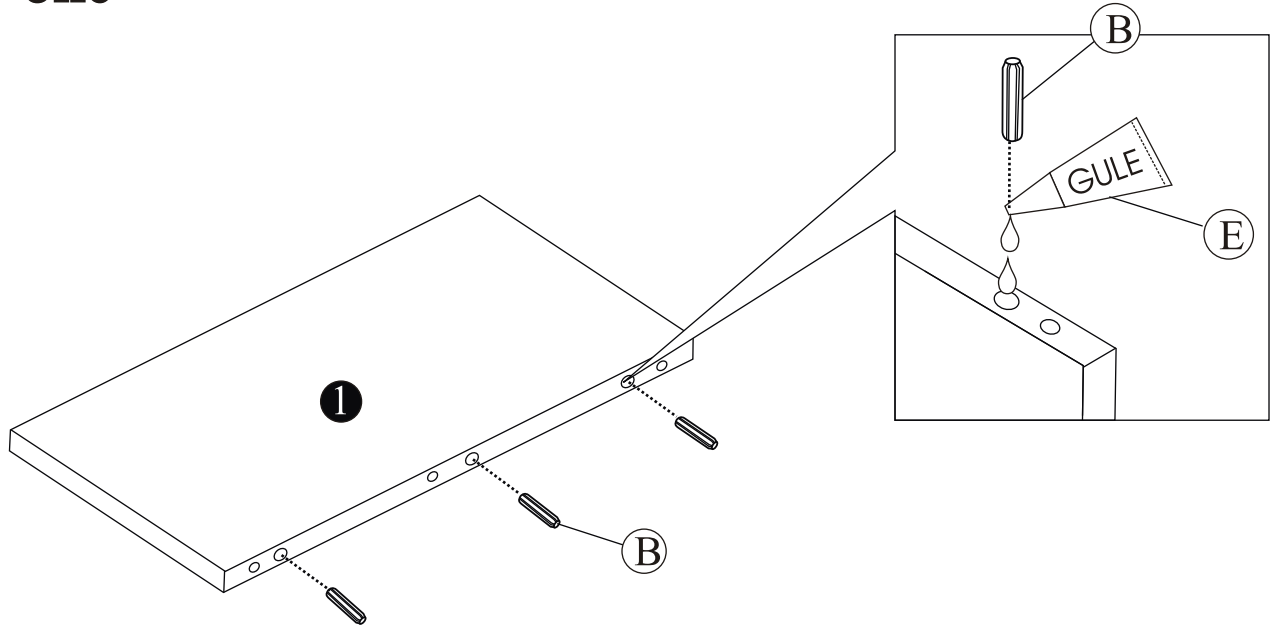
### Parts



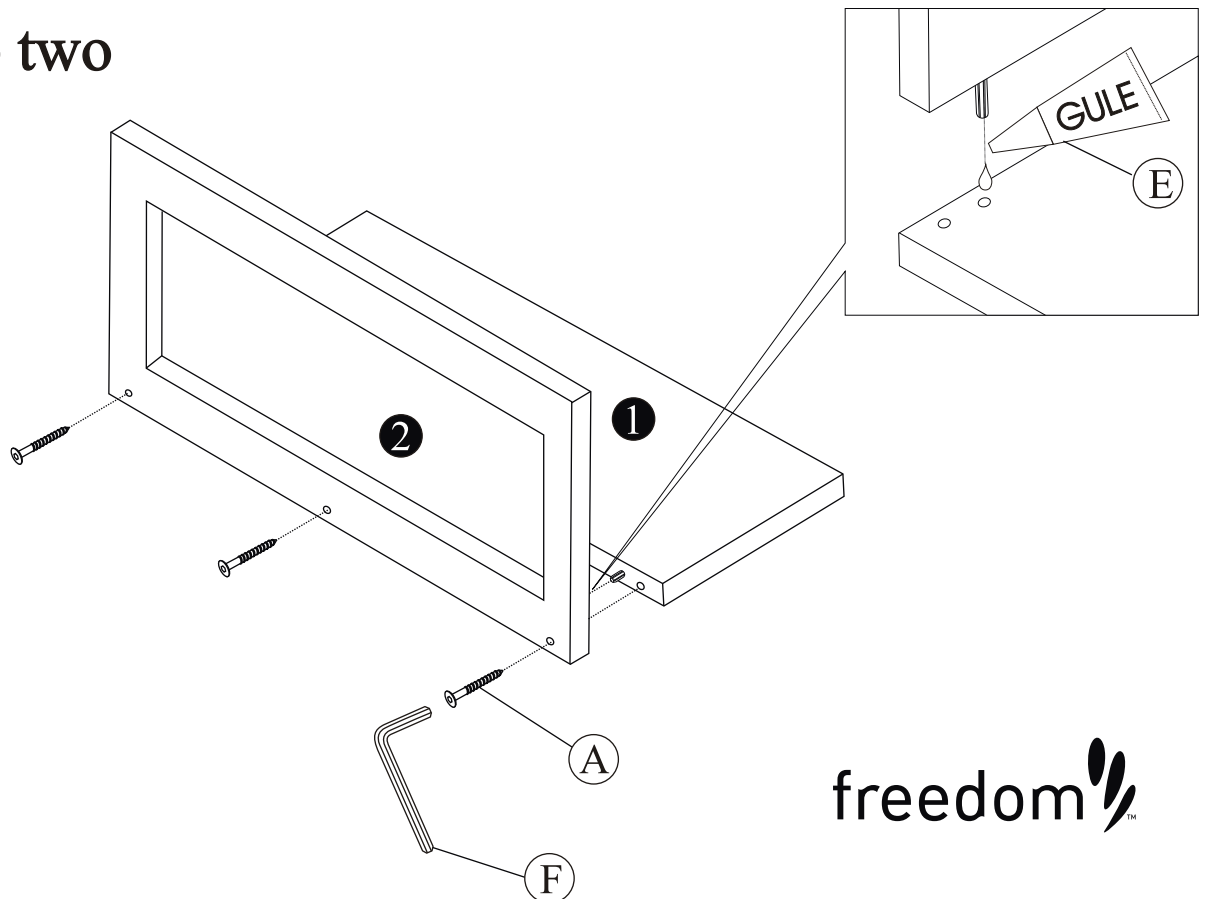
# Assembly Instructions

Absolute Shelf A/ 600

## Step one



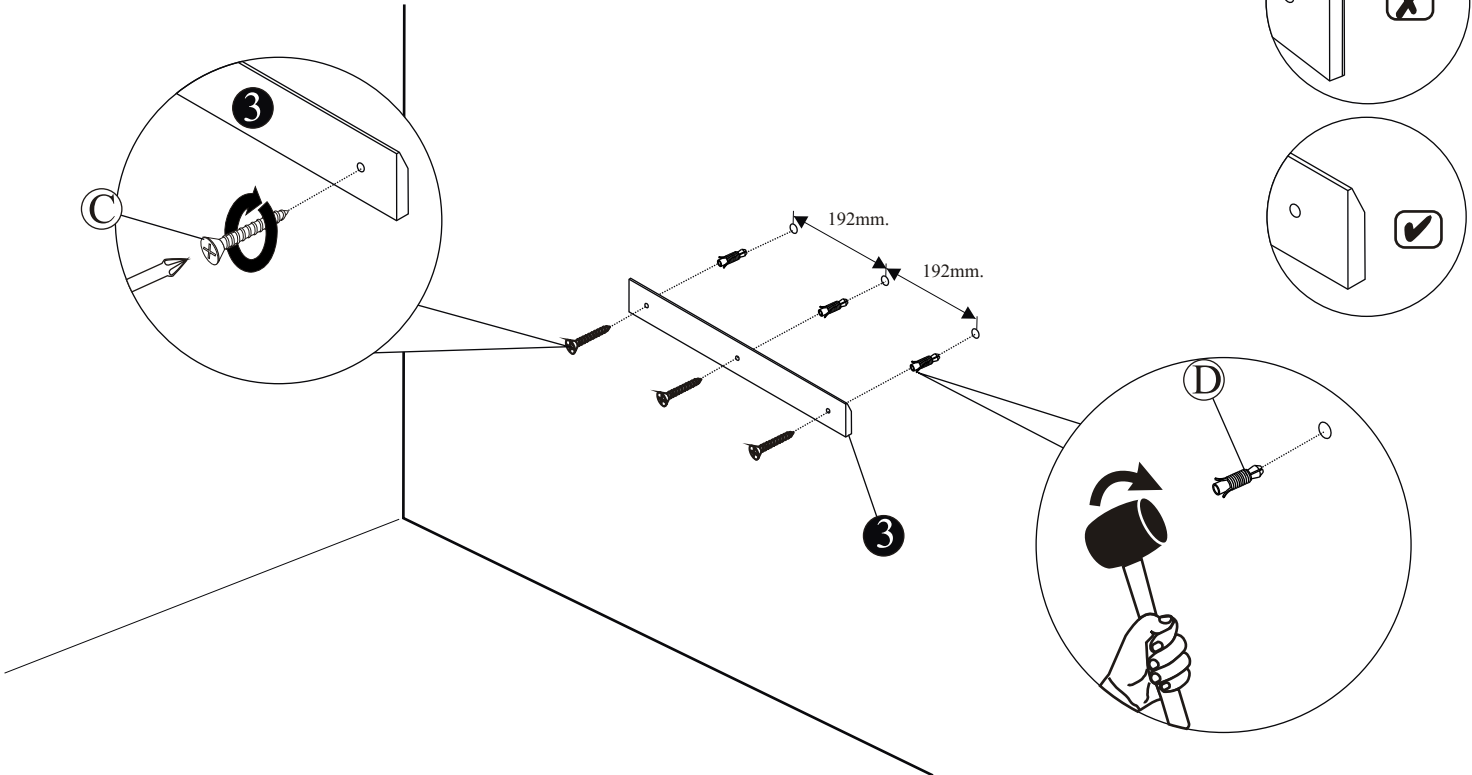
## Step two



# Assembly Instructions

Absolute Shelf A/ 600

## Step three



## Step four

